



FINA VALVE ASSEMBLY

Features In A Snapshot :)



■ 1-1/4" (32mm) Abrasive Media Feed Port

■ Powder Coated Valve Assembly

■ Pipe Nipple Attachment Gasket

FINA Valve Assembly Benefits & Features

■ Powder Coated Valve Assembly

■ Pipe Nipple Attachment Gasket

■ Hardened Pipe Nipple / Various Sizes

1-1/4" M (32mm) x 1-1/4" M (32mm)

1-1/2" M (38mm) x 1-1/2" M (38mm)

1-1/4" M (32mm) x 1-1/2" M (38mm)

1" F (25mm) x 1-1/2" M (38mm)

■ Urethane Metering Sleeve

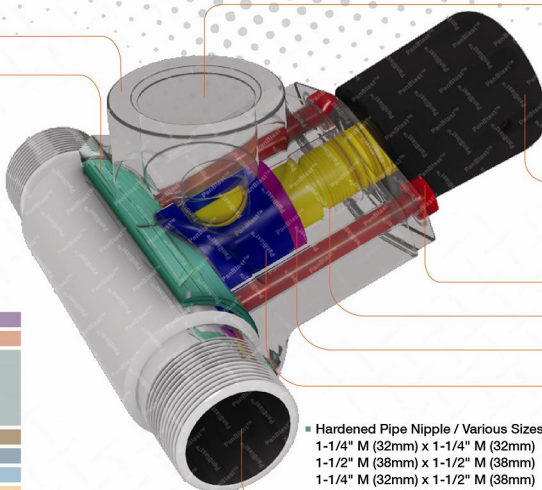
■ Plunger Seal

■ Case Hardened Metering Plunger

■ Pipe Nipple Attachment Bolts

■ Nylon Reinforced Control Knob

■ 1-1/4" (32mm) Abrasive Media Feed Port



■ Nylon Reinforced Control Knob

■ Pipe Nipple Attachment Bolts

■ Case Hardened Metering Plunger

■ Plunger Seal

■ Urethane Metering Sleeve

■ Hardened Pipe Nipple / Various Sizes

1-1/4" M (32mm) x 1-1/4" M (32mm)

1-1/2" M (38mm) x 1-1/2" M (38mm)

1-1/4" M (32mm) x 1-1/2" M (38mm)

1" F (25mm) x 1-1/2" M (38mm)

Canada T: 65 6586 1563
F: 65 6586 1563

USA T: 86 21 66308833
F: 86 21 66308838

USA T: 1 832 390 2284
F: 1 832 390 2248

UK T: 44 161 638 0980
F: 44 161 638 0801